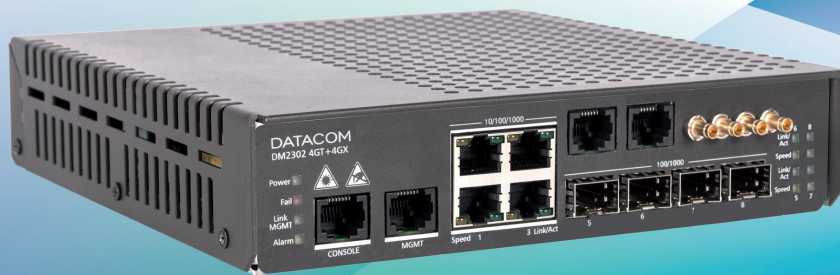
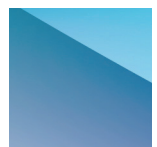


## DM2300

### Carrier Access Switch Series



The definitive Carrier Ethernet Access Gigabit Switch for Service Providers, Enterprise Business and Mobile Backhaul infrastructure. High performance, low power and cost optimized solution for next generation Metro Ethernet Networks and advanced Enterprise switching applications.



Datacom Ethernet Switches consist of different product families that compose a complete portfolio for applications from access to core of the networking infrastructure. The product families are DM4000, DM4100, DM4050, DM4170 and DM4250 as core and aggregation ethernet switches, DM2100, DM2300 and DM4370 as ethernet demarcation switches and DM1100E/DM1200E as enterprise LAN switches.

## DM2300 Family

The product have models with 6 Gigabit Ethernet interfaces and also models with 8 Gigabit Ethernet interfaces, with a comprehensive support for Layer 2 wire speed switching, OAM, port and service protection, QoS and RFC2544 traffic generation for service activation test.

All versions of DM2300 family provide 4 Gigabit Optical SFP and 4 Gigabit RJ Copper ports, and comprehensive support for Layer 2 wire speed switching, OAM, port and service protection, QoS and RFC2544 traffic generation for service activation test.

Besides having an extensive Layer 2 feature set, the DM2300 family provides additional support for SyncE/ IEEE1588v2 with external synchronization interfaces, additional 8 E1 ports with SAToP/CESoP, or a combination of both inside a single box.

Complying with all major MEF CE 2.0 recommendations, the DM2300 family provides standardized, manageable, scalable and reliable Ethernet Services. E-Line, E-LAN, E-Tree and E-Access are completely supported.

## Key Features

### Layer 2

- Wire speed L2 packet switching and MAC learning performed at hardware level
- L2CP Tunneling
- 8k MAC Address Table

### VLANs

- Up to 4096 simultaneous VLANs based on IEEE 802.1Q
- IEEE 802.1ad Provider Bridge (native or translated VLAN)
- VLAN Translation
- Private static VLAN

### Management

- IPv4 and IPv6 management
- Switch access control with definition of which IP addresses may access the equipment and through which protocols (such as SNMP, HTTP, Telnet, SSH)
- Easy to use and comprehensive Command Line Interface – (CLI)
- HTTPS
- Telnet, SSH and Web Interface
- System Syslog
- SNMP v1, v2c, v3 Agent
- RMON Group 1, 2, 3, and 9
- LLDP

### Protection

- Link Aggregation (Static and LACP)
- ITU-T G.8032
- STP, RSTP and MSTP

### OAM

- Embedded RFC2544 traffic generator for Service Activation Test
- Link OAM based on IEEE 802.3ah
- CFM OAM based on IEEE 802.1ag with Continuity Check messages up to 3.3 ms at hardware level
- ITU-T Y.1731 Performance Monitoring with Delay and Loss Measurements implemented at hardware level with high accuracy
- Up and Down MEP support

### QoS

- Traffic manager with thousands of queues flexibly assigned to ports, services and CoS
- 8 Mbit of packet buffer
- Packet classification based on IEEE 802.1p, IP precedence or DSCP field, TCP and UDP ports among others
- Traffic Policing with 33kbit/s granularity for CIR and EIR parameters
- Storm Control
- Random Early Discard (RED) and Strict Priority (SP) schemes

### Security

- RADIUS and TACACS+ Accounting
- DoS prevention
- MAC Address Learning Limit
- Access Control List (ACLs) entries check performed at hardware level

### TDM Circuit Emulation<sup>1</sup>

- SAToP (RFC 4553)
- CESoP (RFC 5086)
- Adaptive Clock Recovery (ACR)
- MEF 8 (L2) and UDP/IPv4 encapsulation modes
- BITS input port (2.048kHz or 2.048kbit/s)

### Synchronization<sup>2</sup>

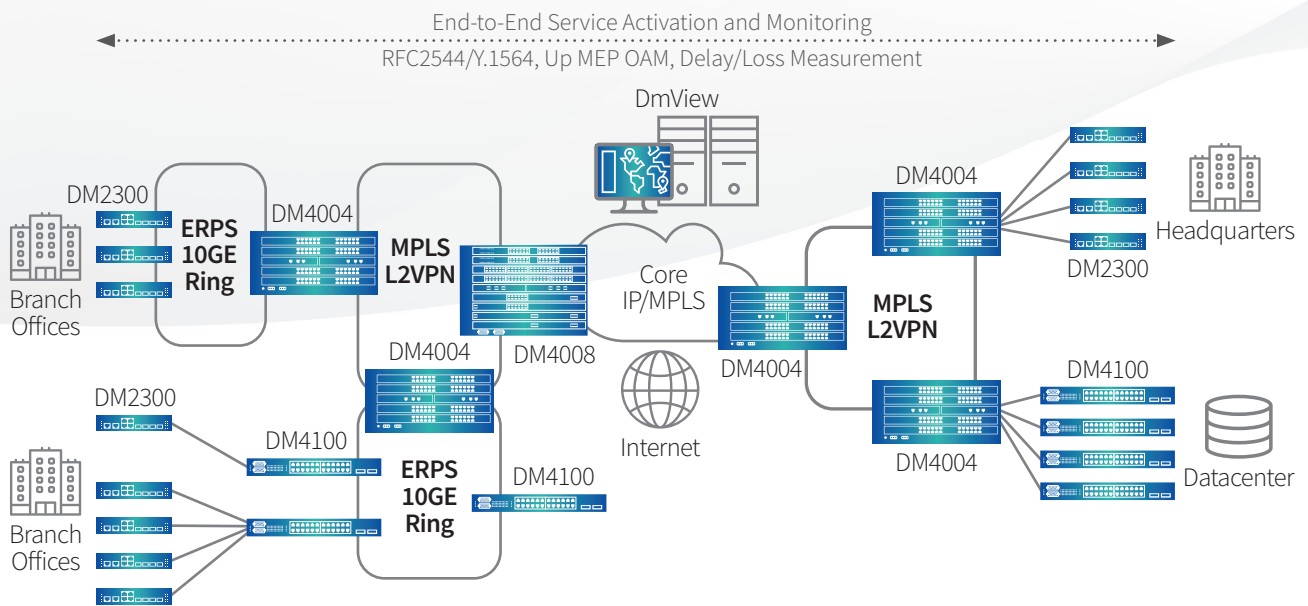
- IEEE1588v2 Ordinary Clock Master/Slave and Transparent Clock with 1-step and 2-step support
- Synchronous Ethernet (SyncE) with ESMC on all Ethernet Ports (ITU-T G.8261)
- PTP timestamping at hardware level
- BITS input and output ports (2.048kHz or 2.048kbit/s)
- 10 MHz input and output ports
- 1 PPS input and output ports
- Stratum-3 internal reference OCXO
- Telecom Profile Support for Mobile Backhaul deployments (ITU-T G.8265.1 and G.8275.1)
- NTPv4

## Models

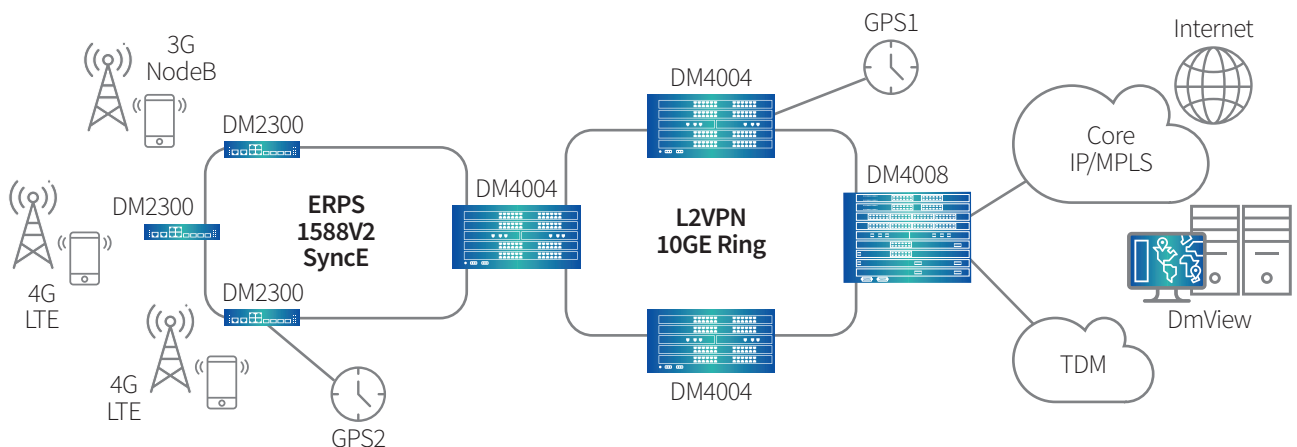
	DM2301				DM2302	
	4GT+2GX	4GT+2GX+8E1	4GT+4GX	4GT+4GX+8E1	4GT+4GX	4GT+4GX+8E1
Optical GE Interfaces (SFP)	2	2	4	4	4	4
Electrical GE Interfaces (RJ45)	4	4	4	4	4	4
G.703 E1 RJ45 Interfaces (RJ45)	—	8	—	8	—	8
Sync Ports	—	BITS IN	—	BITS IN	BITS IN/OUT, ToD, 10MHz, 1 PPS	
Sync Protocols	—	ACR	—	ACR	IEEE1588v2, SyncE	ACR, IEEE1588v2, SyncE
Power Supply	Internal AC (100-240V) / DC (48-60V) with automatic selection					
Management Interfaces	RS232 Console		10/100Base-T (RJ45) out-of-band, RS232 Console			
Environmental Temperature	0 to 55°C					0 to 50°C
Environmental Humidity	10% to 90% relative humidity					
Dimensions	(H x D x W) 43mm x 190mm x 189mm					

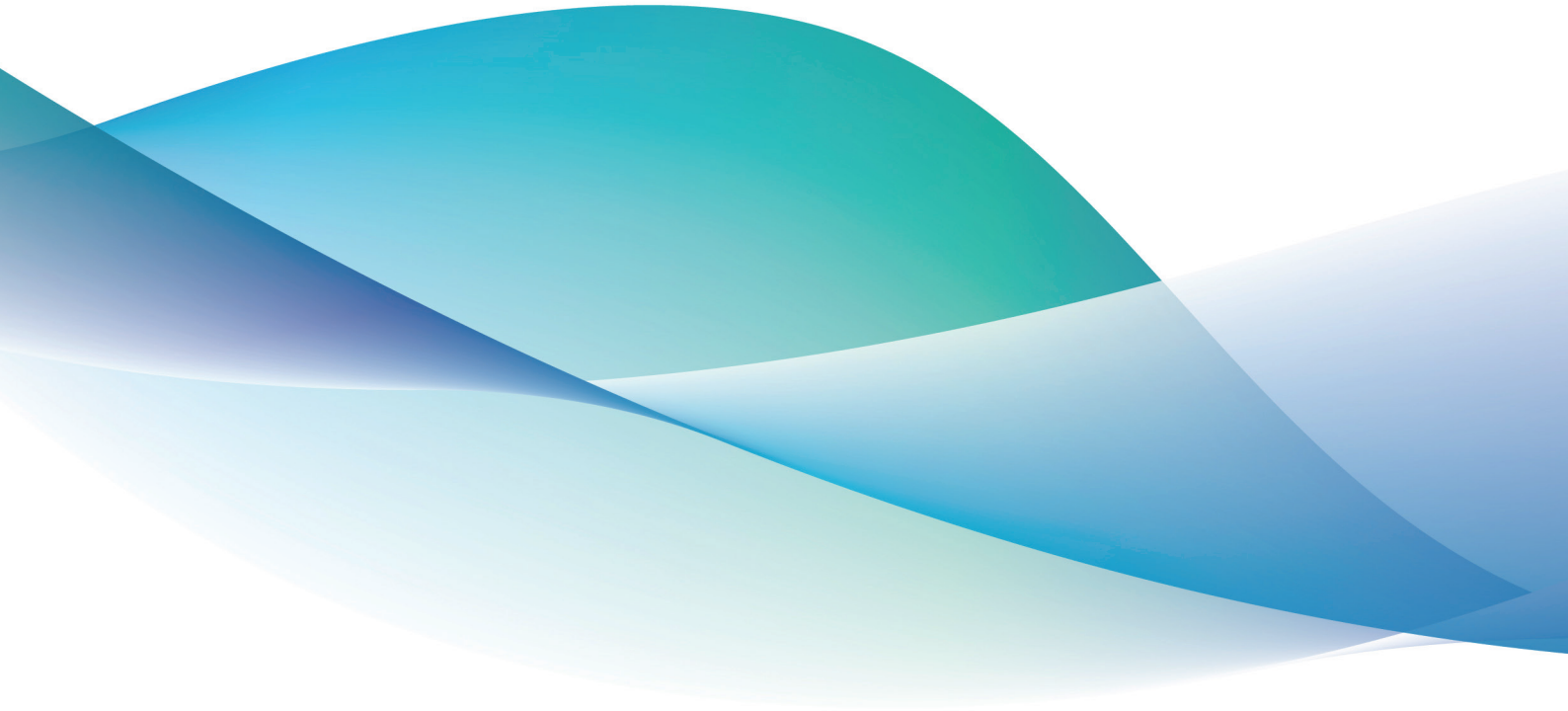
## Applications

### ENTERPRISE APPLICATIONS WITH PROACTIVE SERVICE MONITORING



### MOBILE BACKHAUL





# DATACOM

[www.datacom.com.br](http://www.datacom.com.br)

Use o QR Code abaixo para  
acessar o conteúdo digital.

